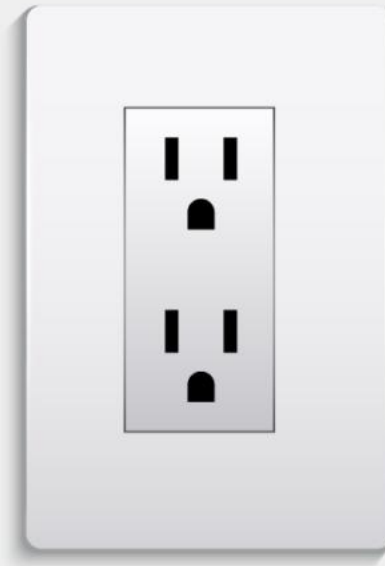




PROTEUS 2.0 SPECIFICATIONS GUIDE



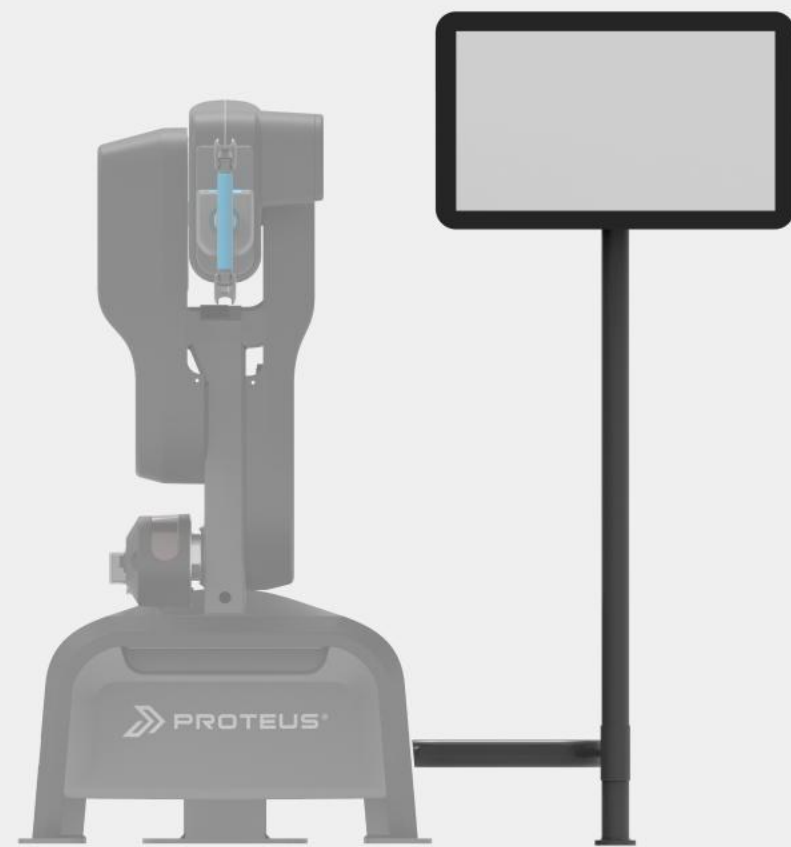
Proteus® Proteus Install at a Glance



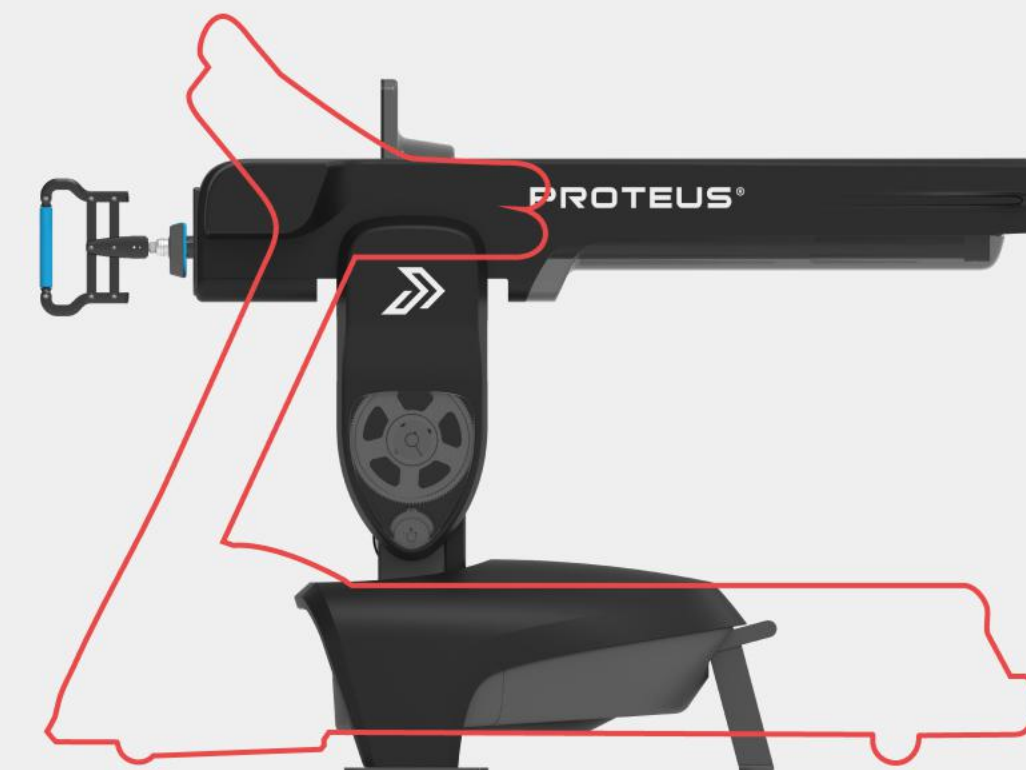
Plugs into a
standard outlet



**Ethernet
Recommended,**
WiFi/Internet
supported



Touch screen can
mount on either side
of machine



About the size of a
standard treadmill

Contents

01

Machine Specifications

02

Floor Bolting and Power Requirements

03

Hardware

04

Software

05

Security & Privacy Policy, Service and Maintenance

06

Cleaning and Disinfecting

07

Proteus® System — Min/Max Dimensions

10

Proteus® System — Footprint Recommendations

Machine Specifications



Machine Dimensions	30" w x 89.75" depth x 53.5" h (76 x 228 x 136 cm), excluding touch-screen display
Max Arm Extension	130" (330 cm) measured from back of device
Recommended Operational Footprint (from front)	80 sf, 128" w x 90" d (325 x 229 cm)
Total Weight	550lbs (250 kg)
User Capacity	Ages 10+; Height: up to 7'0"
Resistance range	5-35 lbs of continuous concentric load: 3D Resistance TM (also known as simultaneous multi-vector resistance or Collinear resistance)
Movement velocity range	0.1-10 m/s (.3-39 f/s)

Floor Bolting and Power Requirements

Floor Bolting Requirements

details on page 11

8 bolts in total to secure Proteus and its monitor to floor

- Bolt and Anchor Type:
Hilti Screw ANC KH-EZ 3/8" x 3 1/2
- Flooring: Concrete floor requires 2" embedment. If rubber mats are in place, option to remove, install through depending on thickness, or create cutouts for placement of Proteus feet and monitor stand.
- Requirements for other floor types TBD

Power Requirement

120 VAC 12A (international: 90-260 VAC)

Recording frequency of force, speed, and power:

250 Hz (system responds to movement and adjusts magnetic brakes for resistance at 1 kHz)

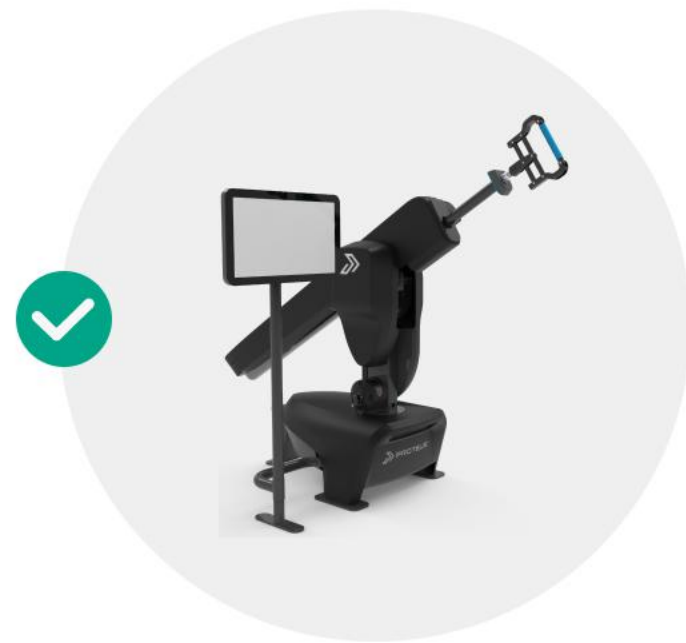
Web Connectivity

For the most consistent and smooth experience we highly recommend 1 gigabit ethernet LAN port (CAT6 or greater) with static or DHCP reserved internal LAN IP address, 40 mbps upload and download speed.

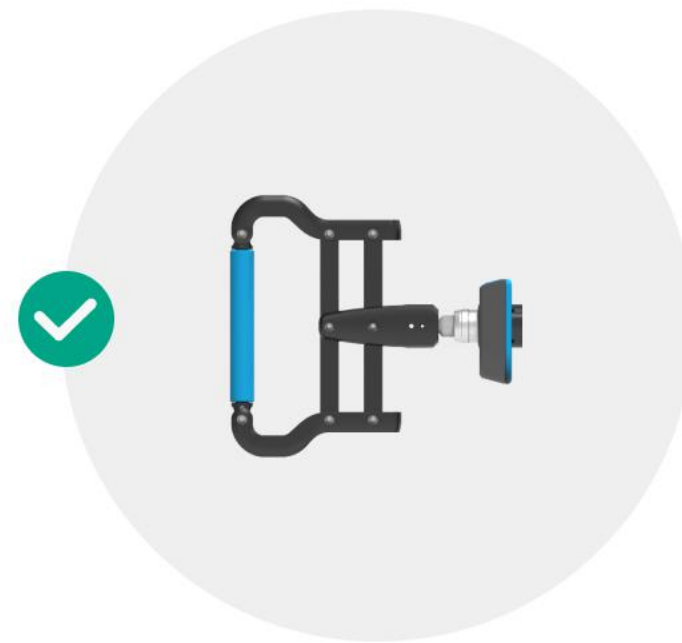
Wifi support requires an 802.11n (WiFi Standard 4 or 5), 5 GHz compatible router with at least 100 Mbps stream data rate.



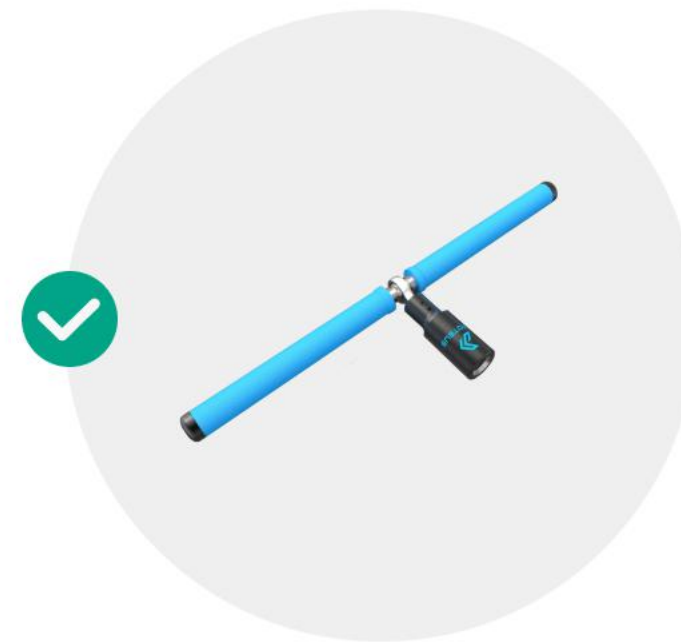
INCLUDED



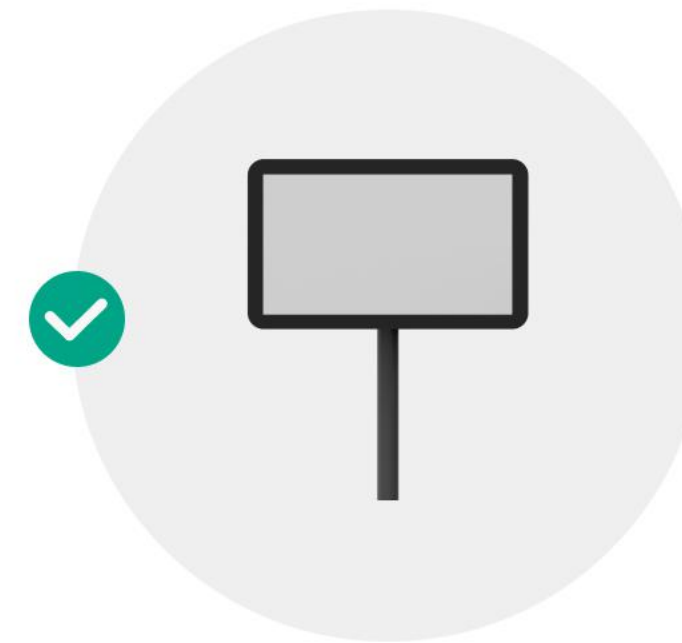
Proteus® 3D resistance-training system



All-purpose load bearing single-hand attachment handle (7" grip)



Two-hand revolving bar



Touch screen display and stand

NOT INCLUDED

✗ (may become available for purchase)

- Bat attachment (in development)
- Hip attachment (in development)
- Lower extremity (foot and ankle) attachment (TBD)

Extended Software Technology License is included for the duration of the contract. Annual software license fees must be paid to retain complete access to the Extended Software Technology License features, as defined in the table on the right.

Note: The table on the right is for illustration only. features and product inclusions or exclusions may differ depending on the master agreement, pricing plan, and client needs.

✘ Not Included

Additional premium products such as:

Predictive analytics, personalized recommendations, virtual personal training, premium training programs, partner program content.

	Technology License (Included with Hardware)	Software and Technology License
On-board computer and electronics	✘	✘
3D resistance controls and functionality	✘	✘
Cloud: <ul style="list-style-type: none"> • Unlimited performance assessments and data capture for registered users • Up to 1,000 registered users; Up to 20 local administrators 3D movement tracing and biofeedback User progress tracking, suite of core proprietary metrics and analysis tools (trends, strength and power imbalance detection, 3D movement mapping) Data exporting <ul style="list-style-type: none"> • Access to preloaded protocols, library of movements, and • customization tools 		

PRIVACY POLICY

- Under no circumstances will Proteus Motion share or make available personally identifiable or client-specific information with third parties, including other customers, vendors, competitors, or partners
- All data is encrypted during transmission and storage.
- User passwords are encrypted and not accessible by Proteus Motion at any time. Proteus Motion will never request a user's password.
- User information may periodically be discovered by Proteus Motion during remote maintenance and troubleshooting.
- Limited encrypted user data stored within Proteus Motion's cloud database may be used for the purpose of product improvements and automated analysis including updating normative data, pattern identification, and general improvements to the software and performance insights.
- Proteus Motion maintains the ability to remotely access and monitor the onboard computer system to perform support and maintenance.

GG

- Software Product Resources: [Proteus® How-To Guide](#)
Proteus Motion reserves the right to perform routine on-site maintenance for up to two days per quarter, which will take Proteus® off-line, with 15 days notice or otherwise as mutually agreed upon.
- Important Warranty Notice: Customer must notify Proteus Motion Inc. if Customer desires to move or relocate the Proteus® system to a location different from the original installation location. Customer acknowledges that warranty will become void if Customer removes floor-mounting bolts and relocates Proteus machine to a location different than the exact location of the original installation location without written consent from Proteus Motion.

 **Outdoor use is prohibited**

SCREEN



- Turn screen off when cleaning
- Air Dry

★ Recommended Product

[FG Clean 70% Isopropyl Alcohol Wipes](#)
(or similar with 70% isopropyl alcohol/30% water formula).

ENCLOSURE

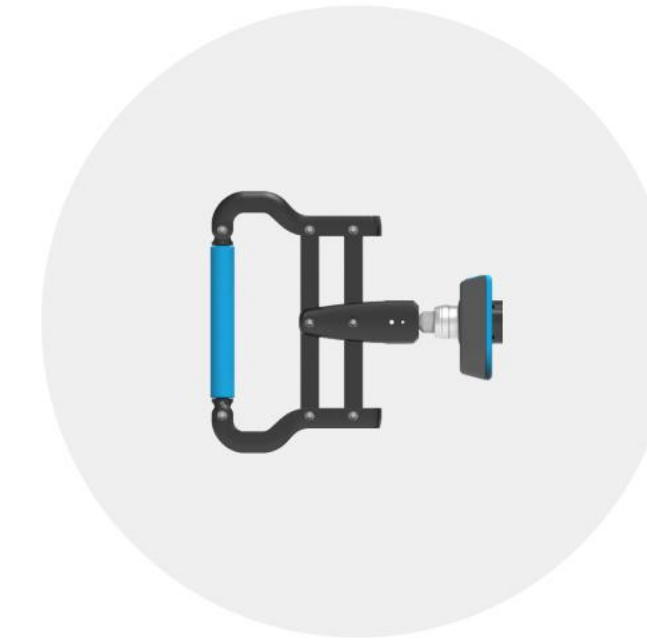


- Contact time: 30 seconds to kill bacteria and viruses

★ Recommended Product

[Discide Ultra Disinfecting Towelettes](#)
(or similar with active ingredients of Quaternary ammonium and isopropanol)

HANDLE

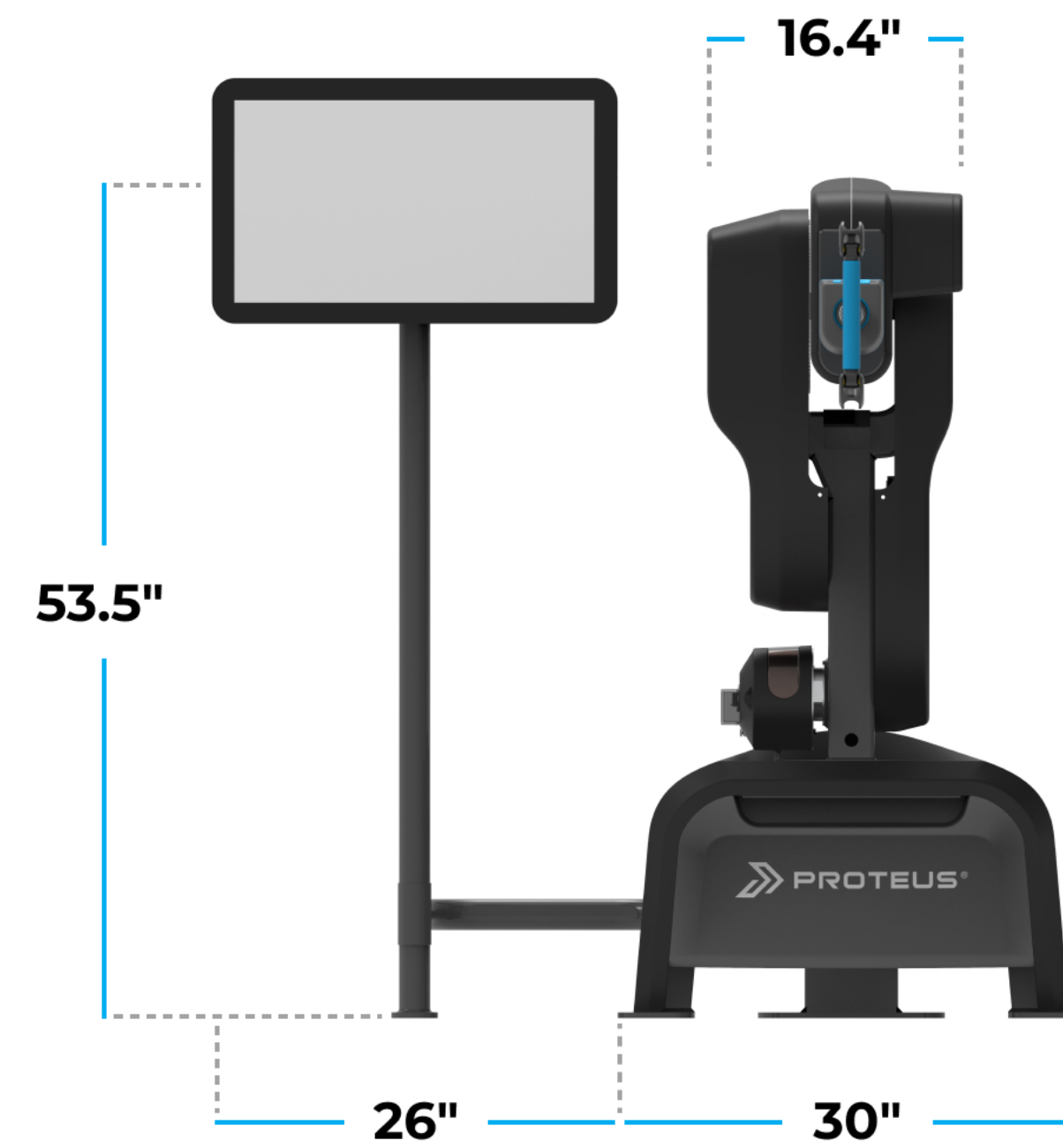
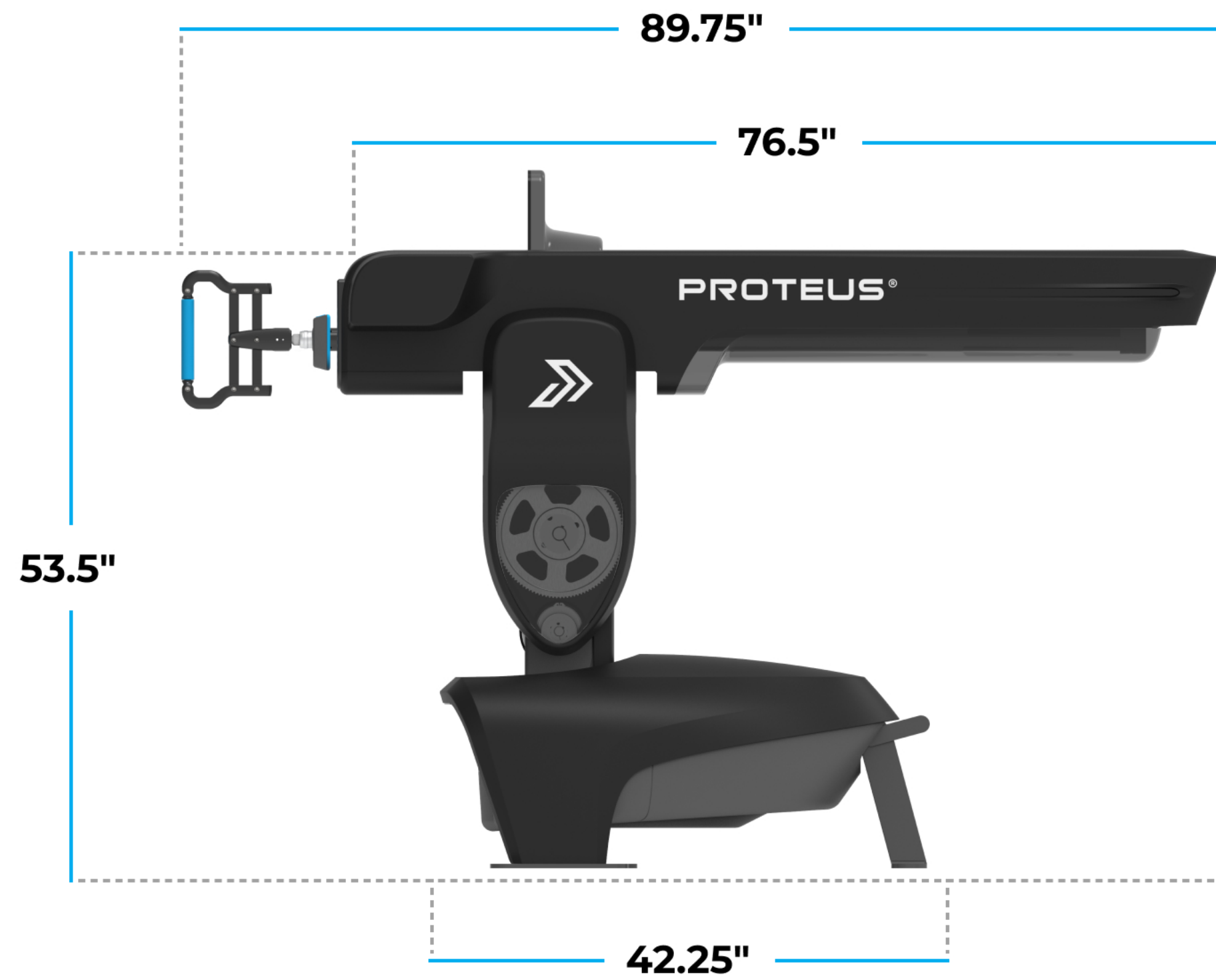


- Contact time: 30 seconds to kill bacteria and viruses

★ Recommended Product

[Discide Ultra Disinfecting Towelettes](#)
(or similar with active ingredients of Quaternary ammonium and isopropanol)

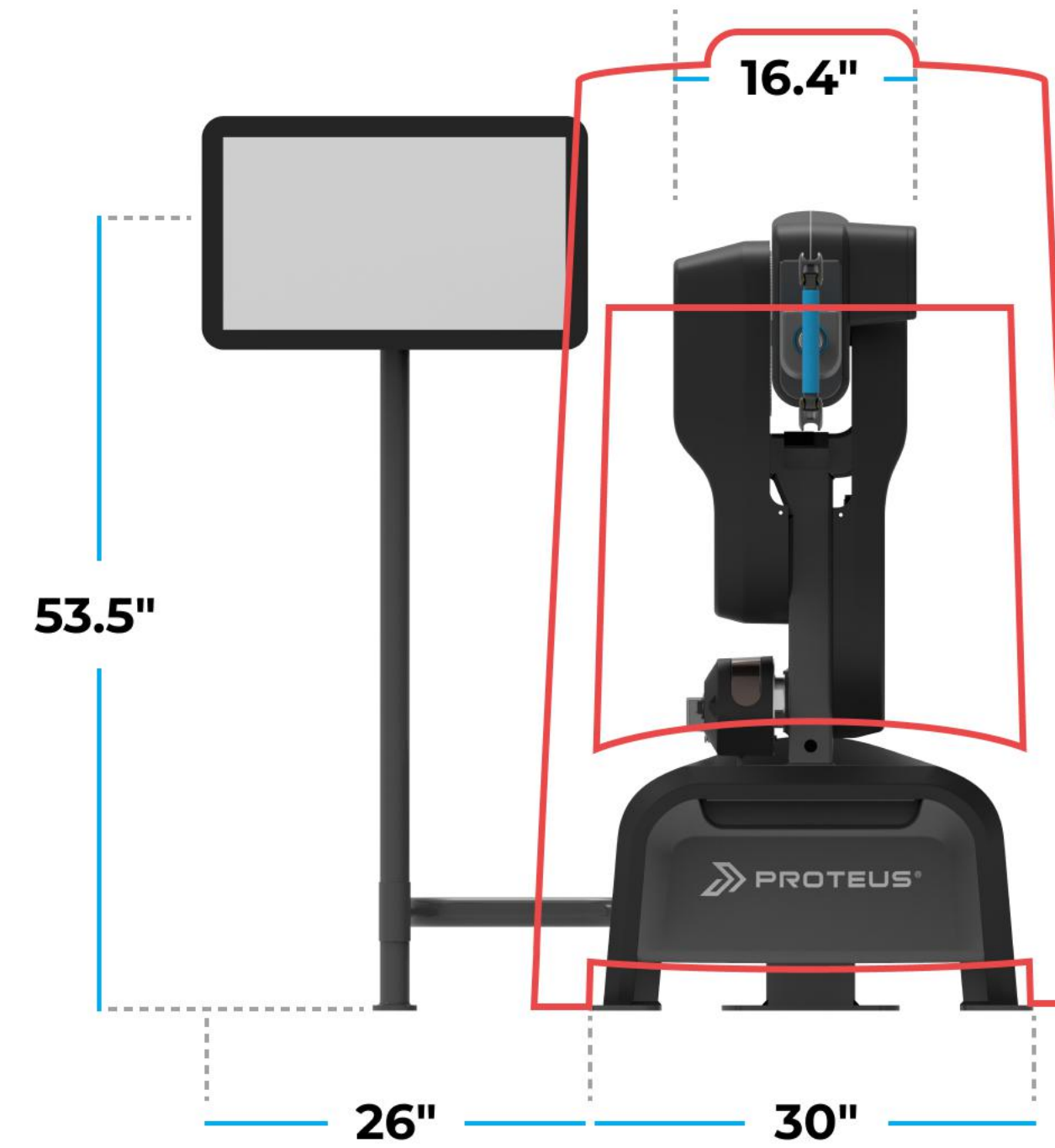
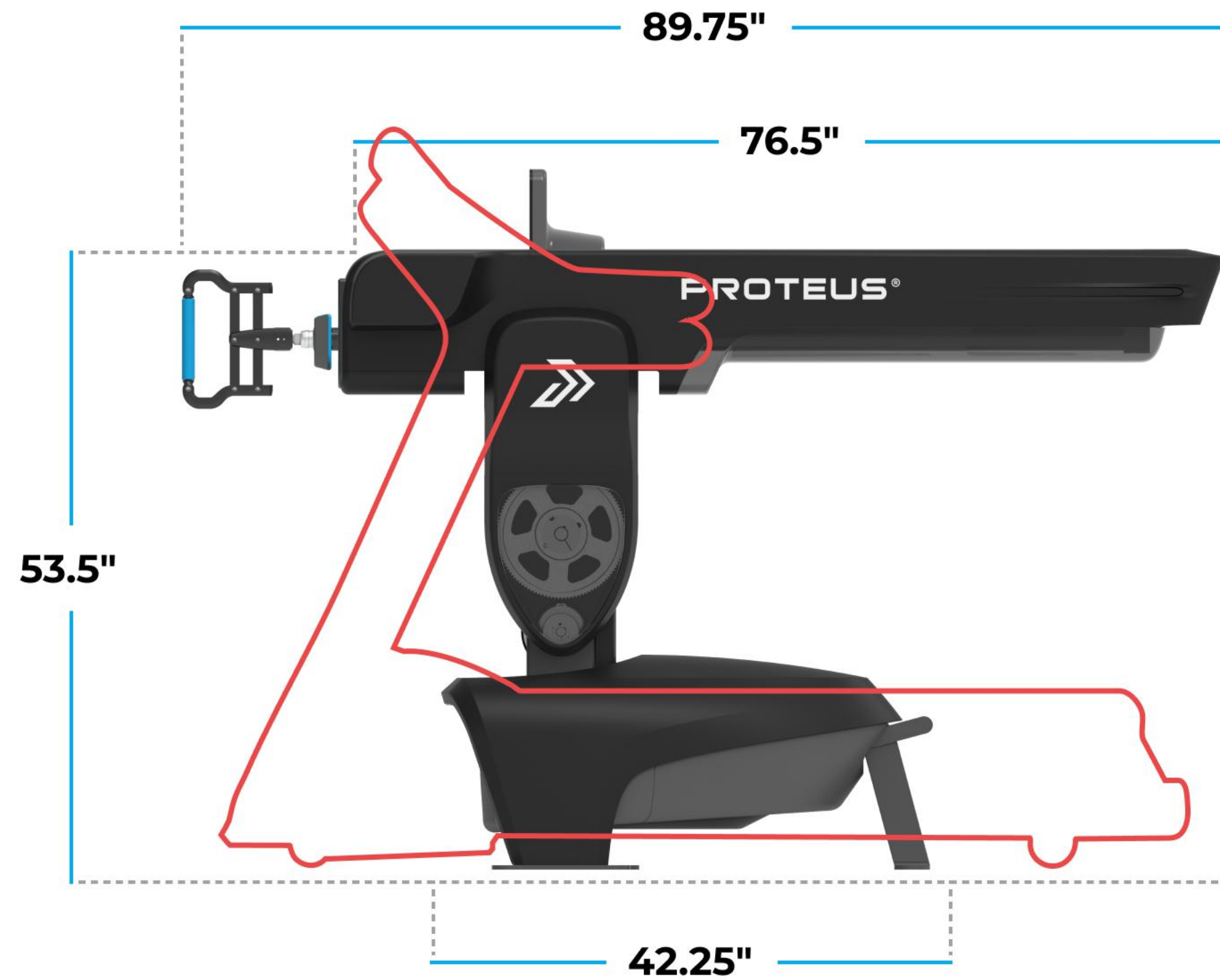
Side & Front views Minimum Dimensions



Proteus® Dimensions — Left Side / Front Compared to Standard Treadmill

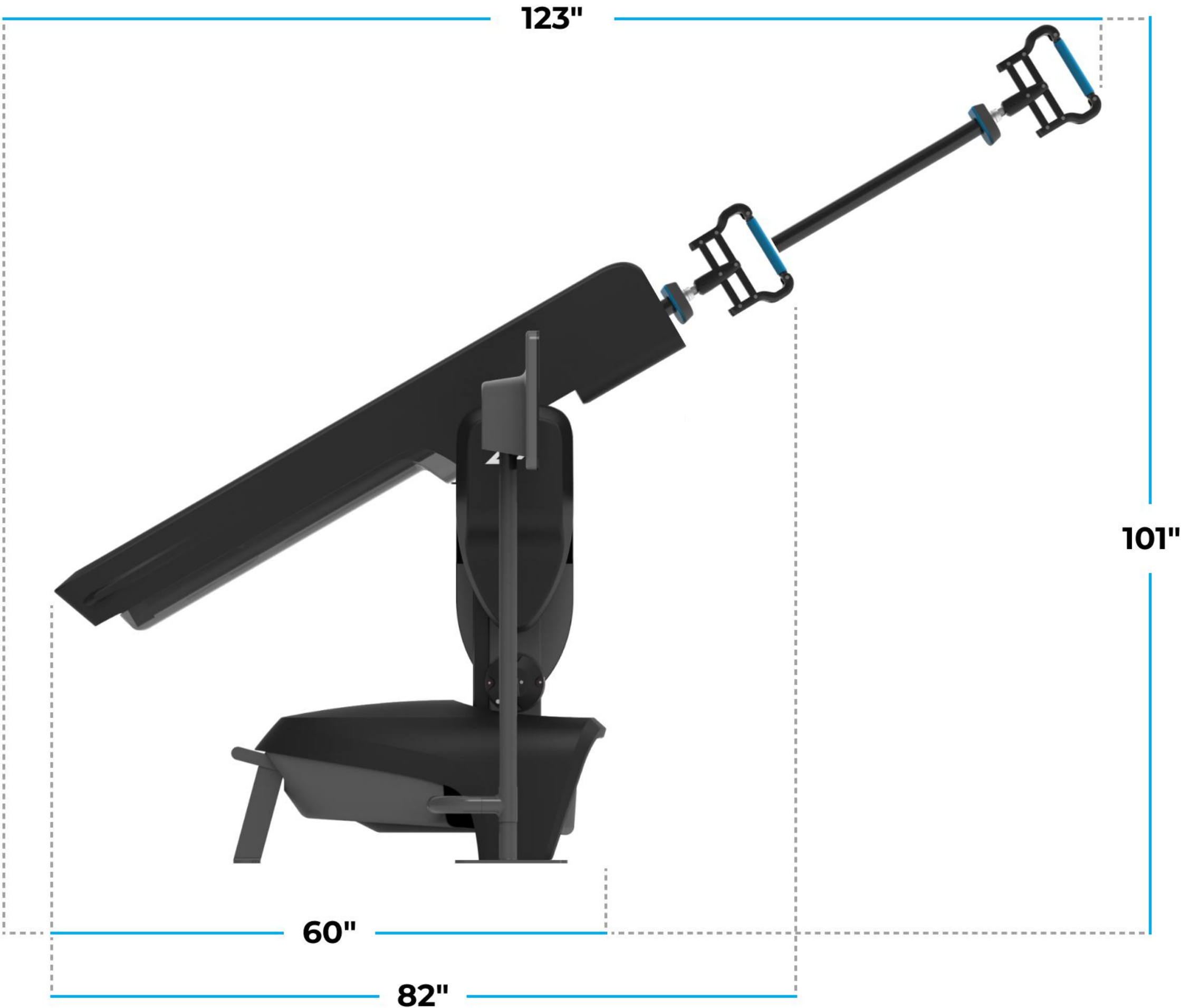
Side & Front views

Treadmill Dimension Comparison

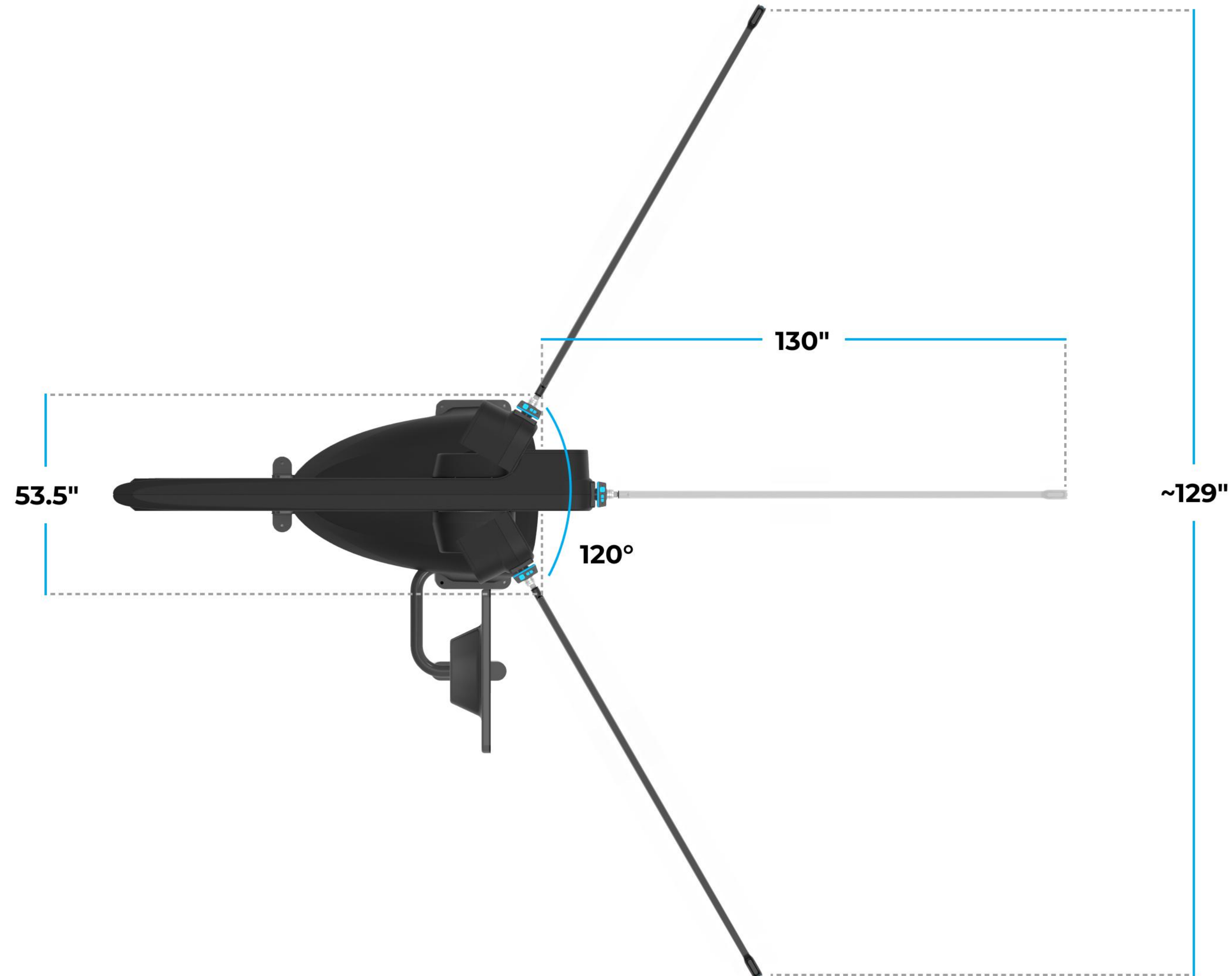


Proteus® System — Min/Max Dimensions



Side view
Minimum and
Maximum Dimensions

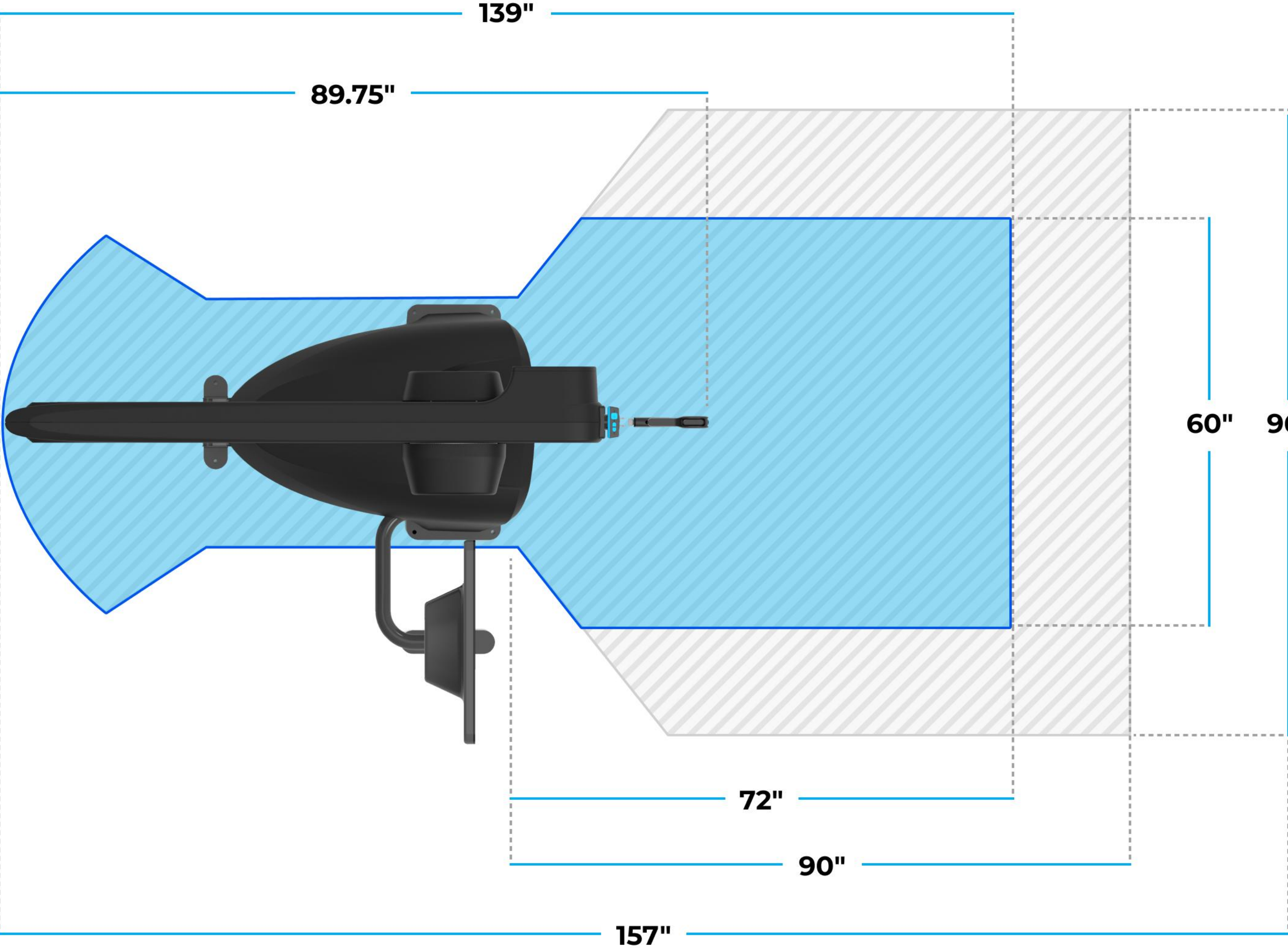


Top view
Minimum and
Maximum Dimensions



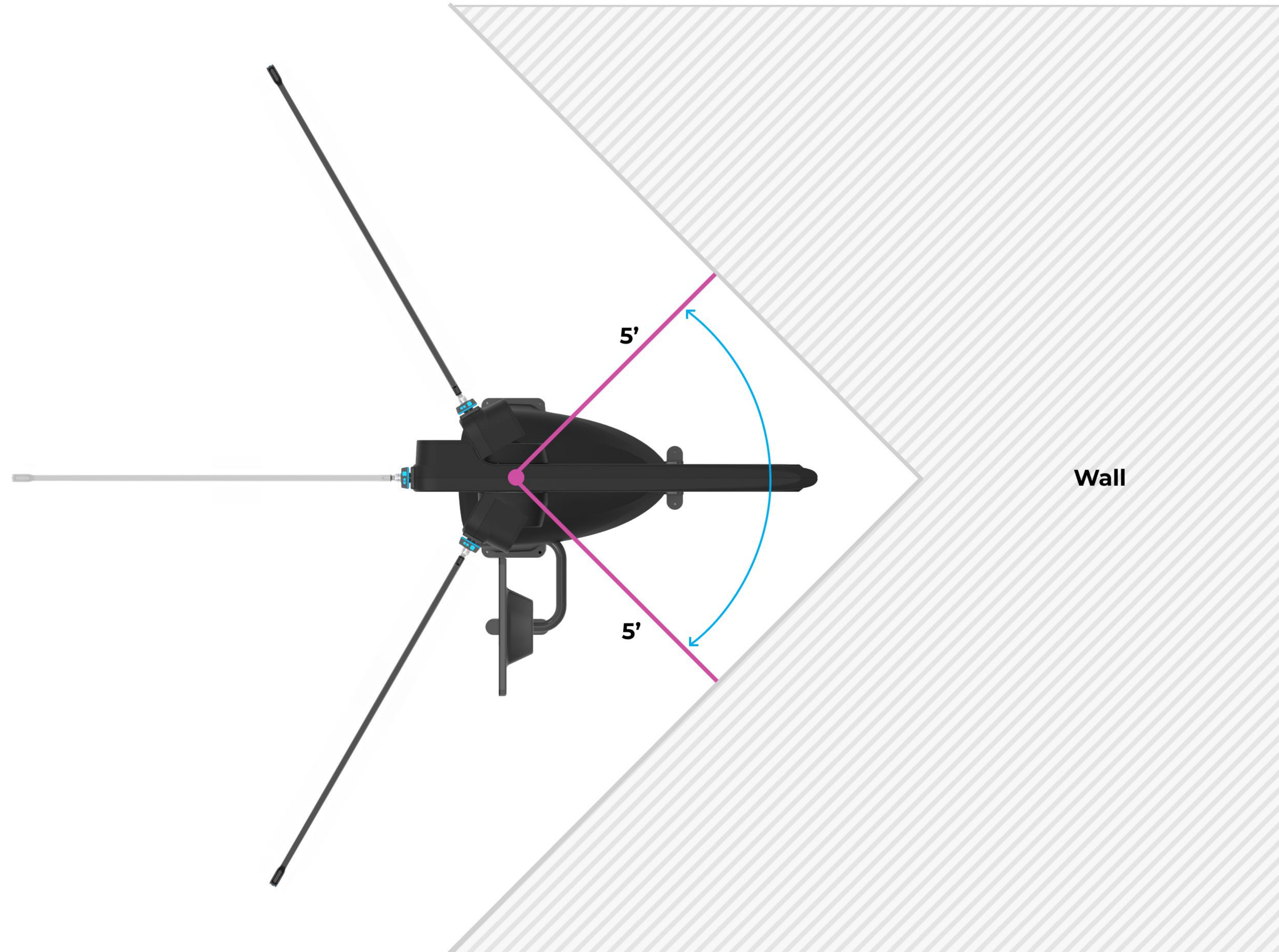
Top view
Operational Area

-  Recommended Operational Area
-  Minimum Operational Area



Top view

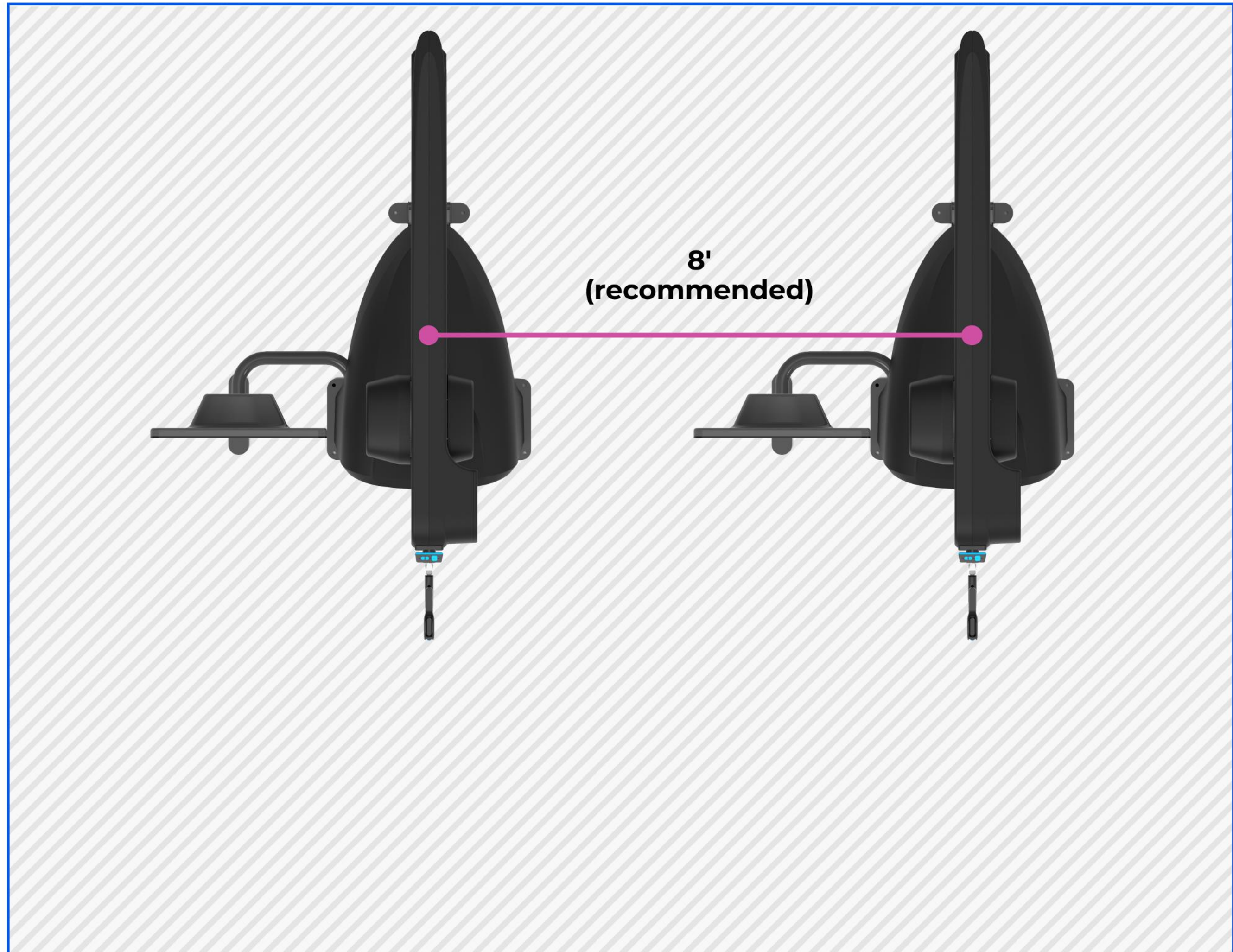
When placing Proteus in a corner position
5 feet minimum distance from center of machine to
each wall.



Top view

When placing more than one Proteus machine in a training area, provide **8 feet minimum distance** from center of one machine to the other.

If installing a mat under the machines, the minimum recommended size for the mat is 18' x 14'.



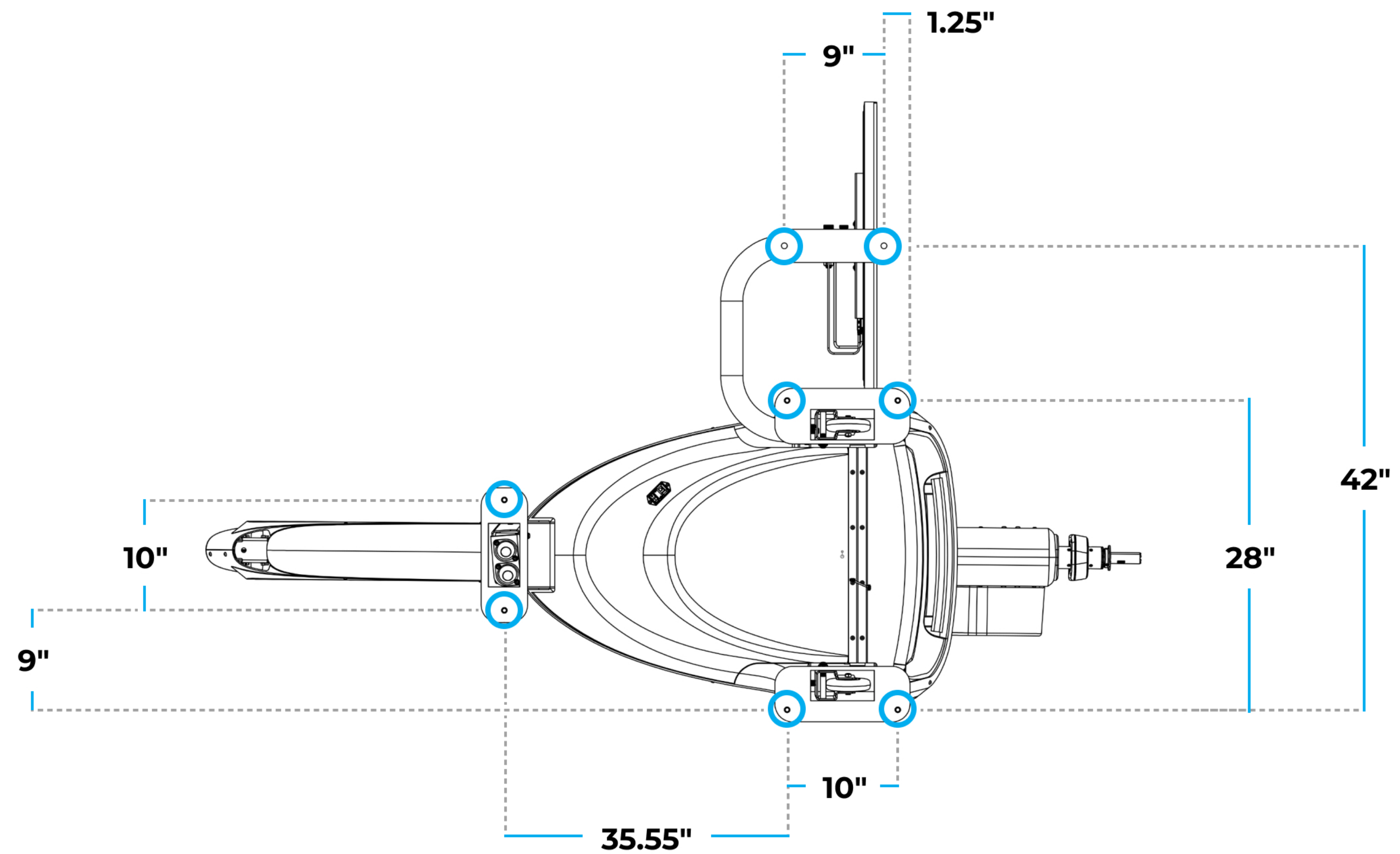
Bottom view

Bolt position diagram

Floor Bolting Requirements

8 bolts in total to secure Proteus and its monitor to floor

- Bolt and Anchor Type:
Hilti Screw ANC KH-EZ $\frac{3}{8}$ " x 3 $\frac{1}{2}$
- Flooring: Concrete floor requires 2" embedment. If rubber mats are in place, option to remove, install through depending on thickness, or create cutouts for placement of Proteus feet and monitor stand.
- Requirements for other floor types TBD





Proteus Motion Inc.
473 Grand Street, Brooklyn, NY 11211
sales@proteusmotion.com